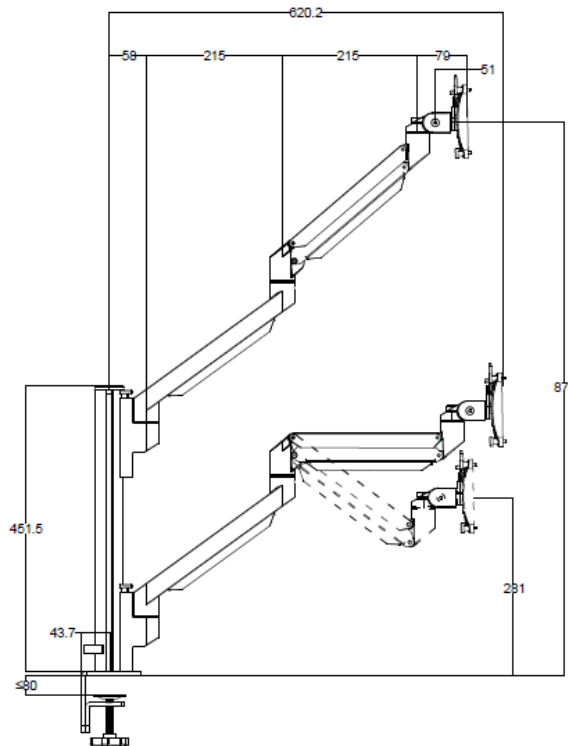
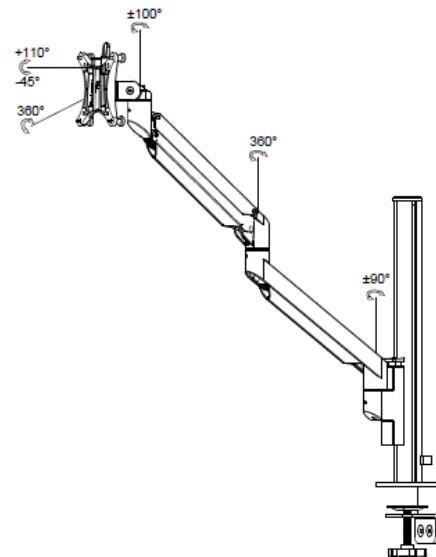


Technical Specification Sheet

Product Name: Filex Galaxy



Product Dimensions



Product adjustment angle

Dimensions are in mm.

Key features

- Free combination and easy installation. All components are universal. It supports 1 – 4 monitors with same parts. It also allows combination with another series.
- Supports 2 – 12 kg (gasspring) and 10 – 18 kg load range for mounting different monitors.
- Max screen: 34 inches
- Easy UP&DOWN system with pole. Unique spring device makes the arms move up and down easily.
- Quick release head
- 180°/90° stops to prevent clash with the walls or furniture.
- Cable management keeps the cables tidily.
- Special base without pole is available

Mounted Load Range: 2kg – 12 kg (gasspring), 10 – 18 kg

Horizontal Range: 620 mm

Vertical motion Range: 590 mm

Tilt Range: -45° / +110°

Pivot Range: 360°

VESA: 75*75 / 100*100

Total product recyclable: 99.76%

Recycling Rate

Material type	Total material type weight	Percentage of Total Product Weight	Total Product Recyclable Weight	Total Product Recyclable
Aluminum	2319g	55.54%	2319g	55.54%
Steel	1592g	38.13%	1592g	38.13%
Plastic	193g	4.61%	183g	4.37%
Zinc	69g	1.65%	69g	1.65%
Brass	3g	0.07%	3g	0.07%
Total	4176g	100%	4166g	99.76%