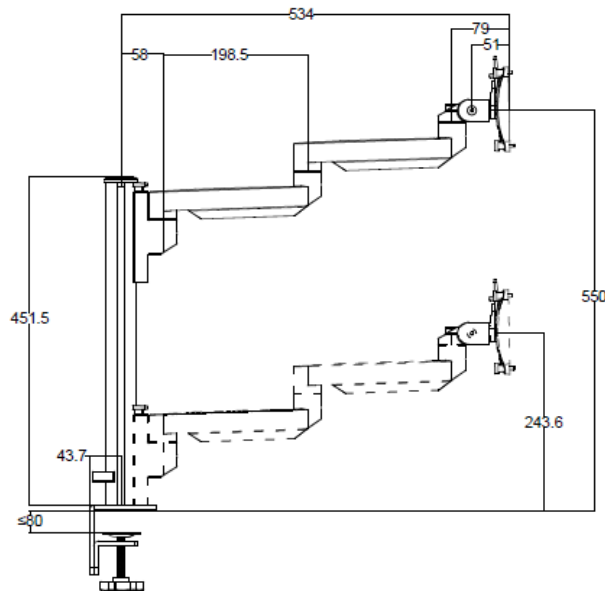
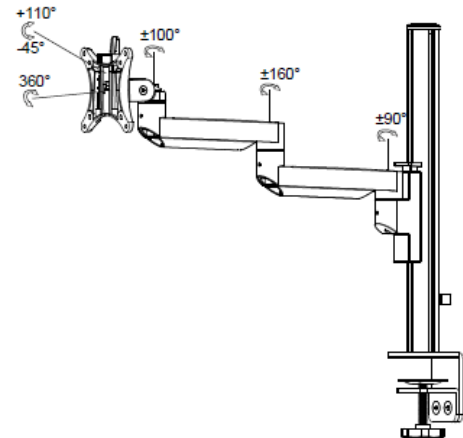


Technical Specification Sheet
Product Name: Filex Galaxy



Product Dimensions



Product adjustment angle

Dimensions are in mm.

Key features

- Free combination and easy installation. All components are universal
It supports 1 – 4 monitors with same parts
- Supports 0 – 18 kg load range for mounting different monitors.
- Easy UP&DOWN system. Unique spring device makes the arms move up and down easily
- Quick release head
- 180°/90° stops to prevent clash with the walls or furniture
- Cable management keeps the cables tidily

Mounted Load Range: 0kg – 18 kg

Horizontal Range: 534 mm

Vertical motion Range: 306 mm

Tilt Range: -45° / +110°

Pivot Range: 360°

VESA : 75*75 / 100*100

Total product recyclable: 100%

Recycling Rate

Material type	Total material type weight	Percentage of Total Product Weight	Total Product Recyclable Weight	Total Product Recyclable
Aluminum	2062g	55.62%	2062g	55.62%
Steel	1414g	38.15%	1414g	38.15%
Plastic	182	4.91%	174g	4.69%
Zinc	49g	1.32%	49g	1.44%
Total	3707g	100%	3699g	100%