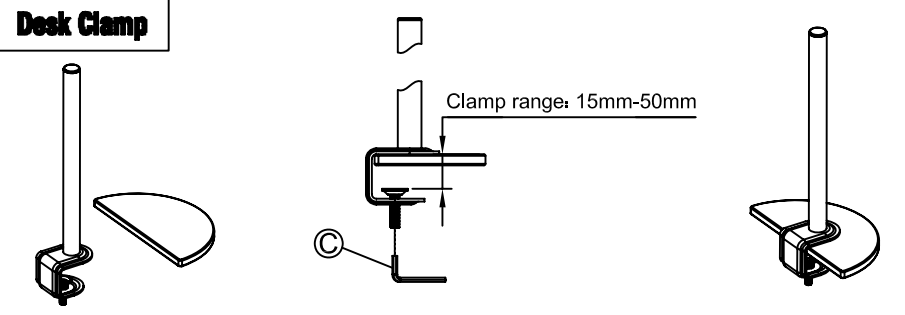
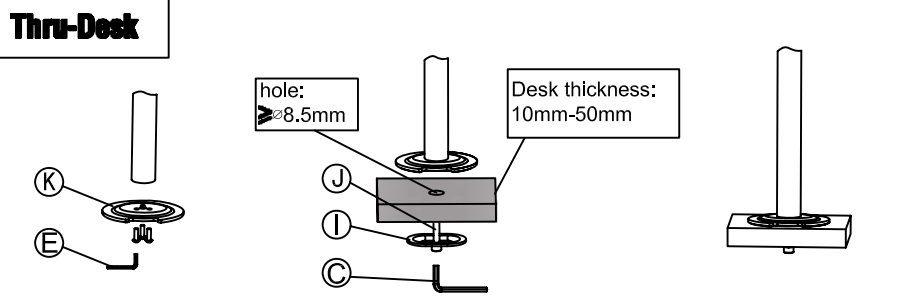
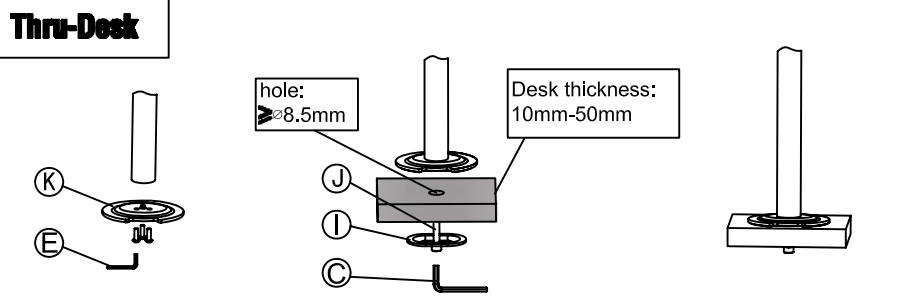
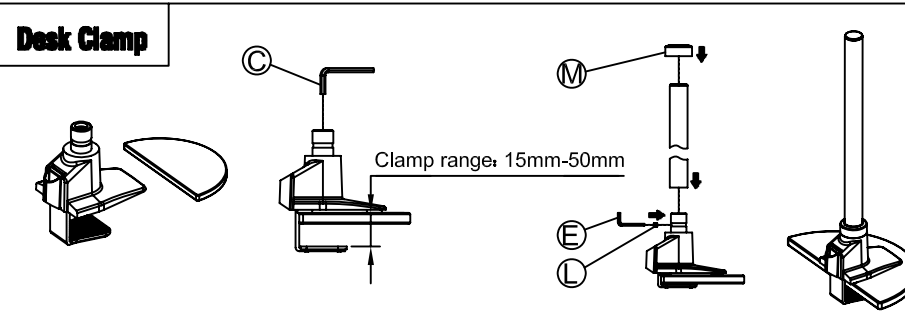
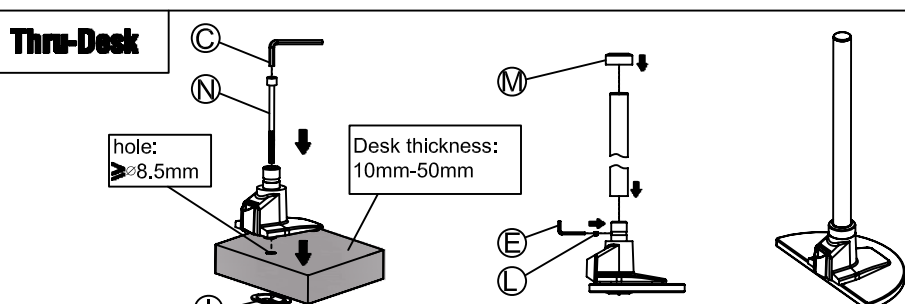
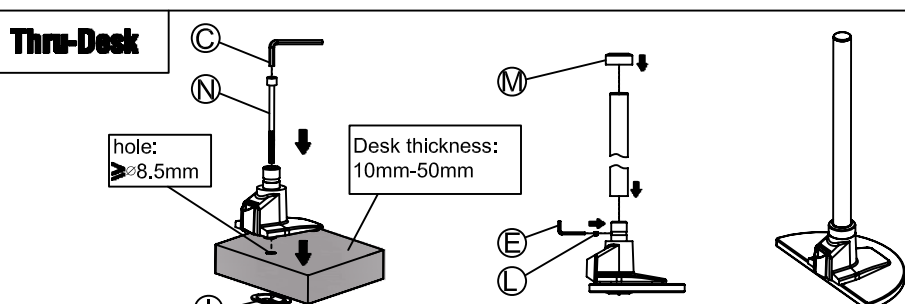
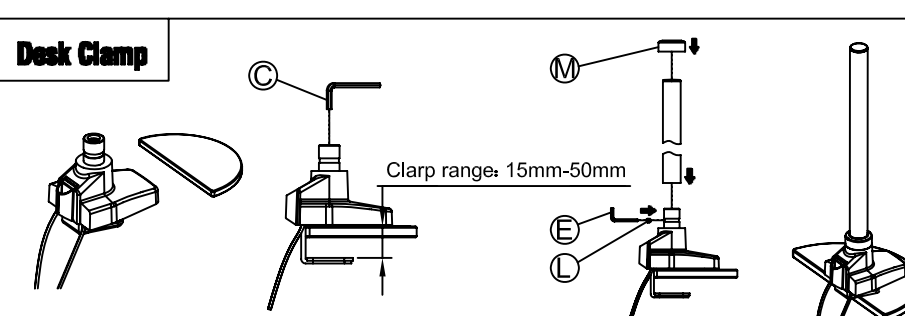
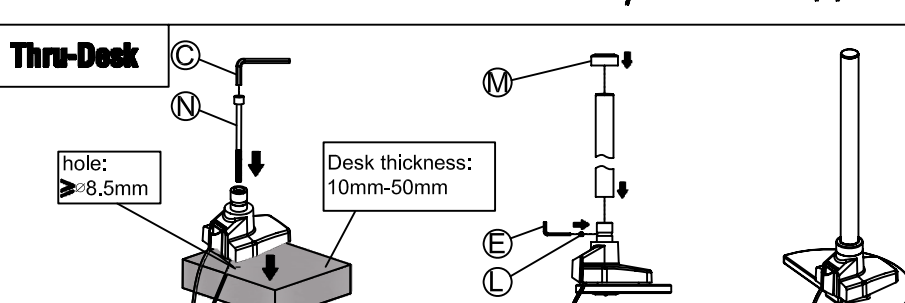
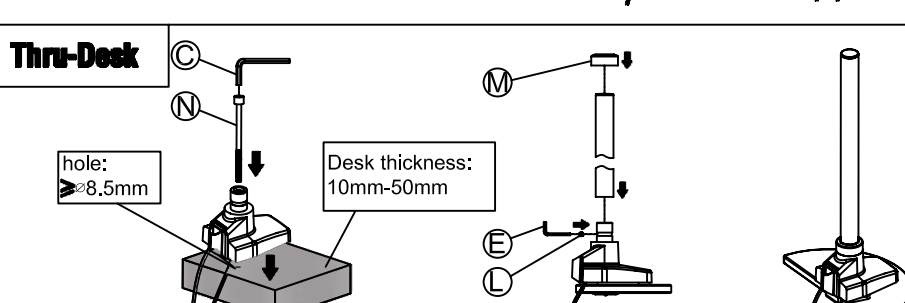


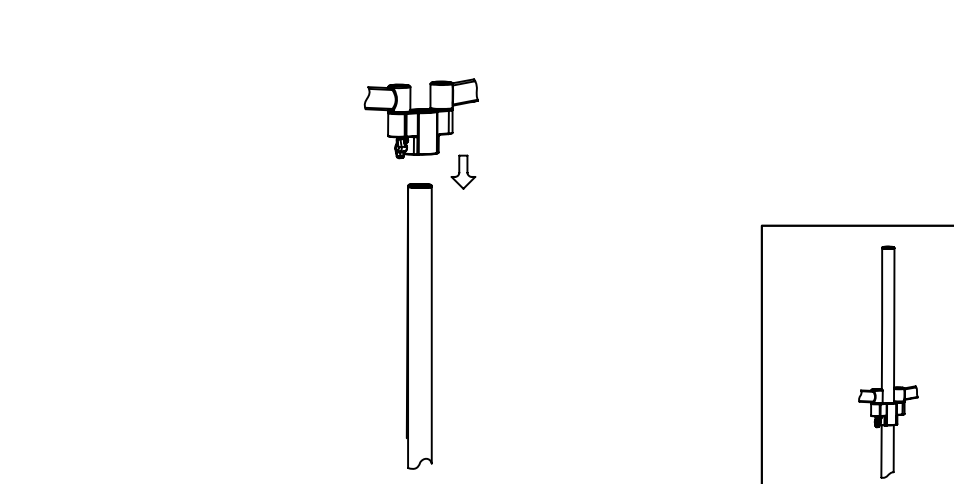
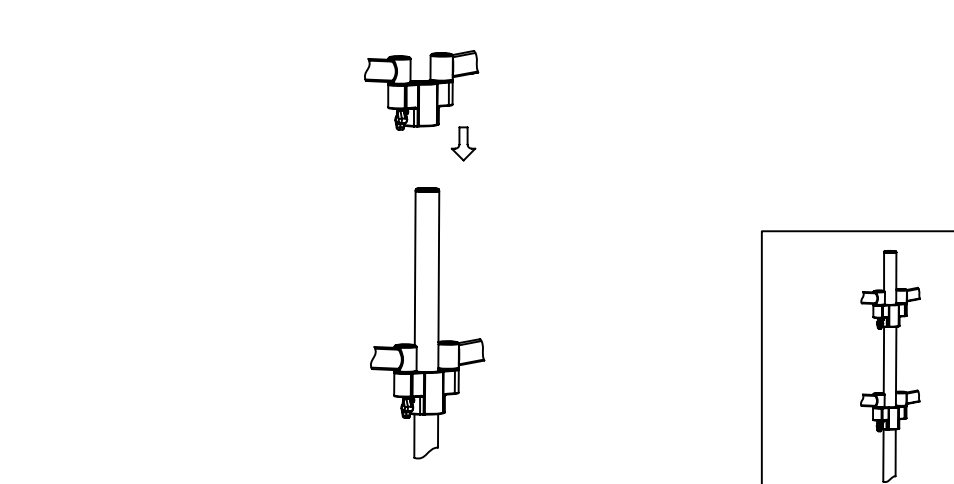
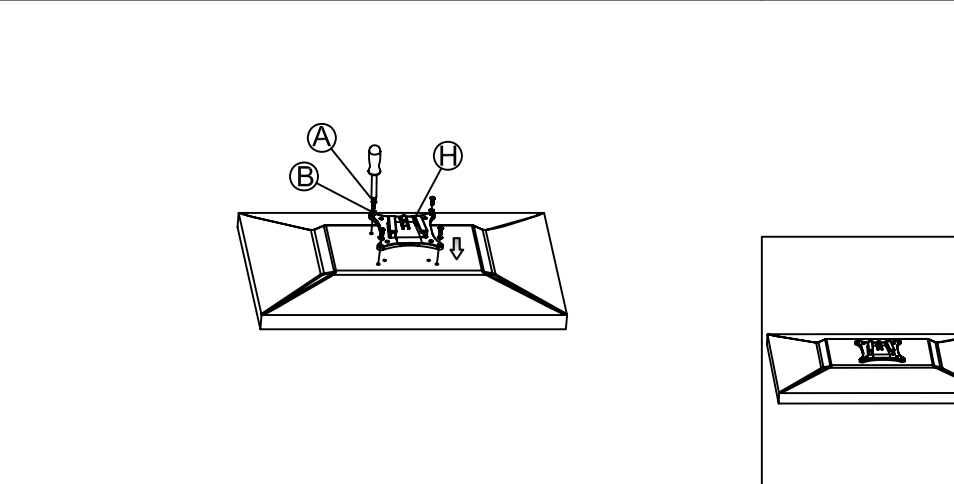
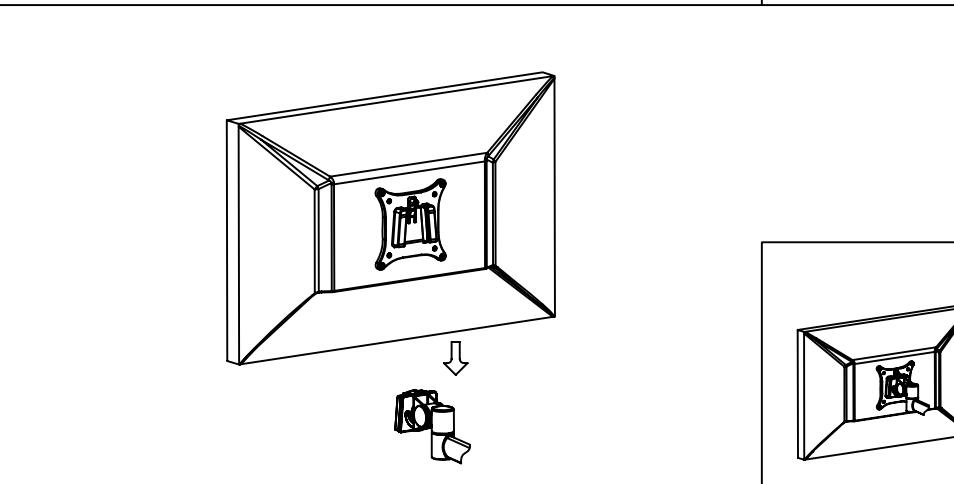
# Installation Manual

## Clamp Installation

I	<b>Desk Clamp</b>  <p>Clamp range: 15mm-50mm</p>	 <p>hole: <math>\geq 8.5\text{mm}</math> Desk thickness: 10mm-50mm</p>
	<b>Thru-Desk</b>  <p>hole: <math>\geq 8.5\text{mm}</math> Desk thickness: 10mm-50mm</p>	
II	<b>Desk Clamp</b>  <p>Clamp range: 15mm-50mm</p>	 <p>hole: <math>\geq 8.5\text{mm}</math> Desk thickness: 10mm-50mm</p>
	<b>Thru-Desk</b>  <p>hole: <math>\geq 8.5\text{mm}</math> Desk thickness: 10mm-50mm</p>	
III	<b>Desk Clamp</b>  <p>Clamp range: 15mm-50mm</p>	 <p>hole: <math>\geq 8.5\text{mm}</math> Desk thickness: 10mm-50mm</p>
	<b>Thru-Desk</b>  <p>hole: <math>\geq 8.5\text{mm}</math> Desk thickness: 10mm-50mm</p>	

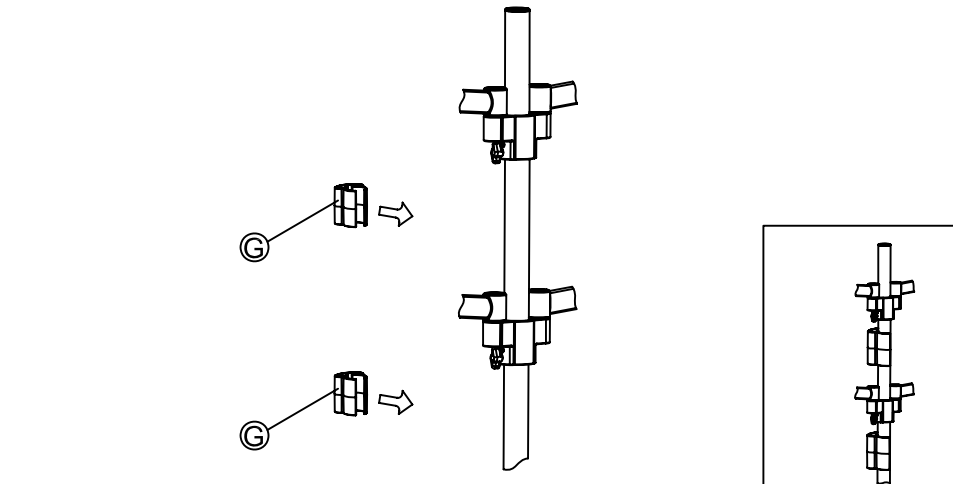
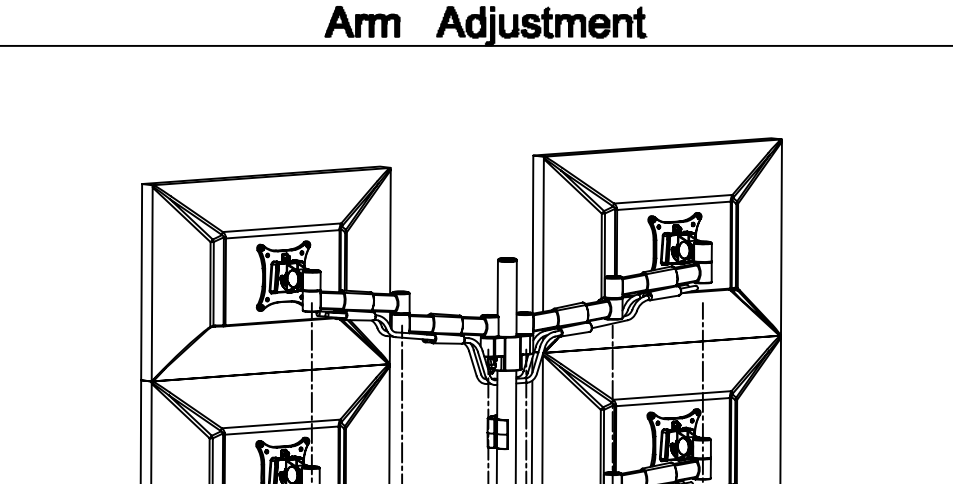
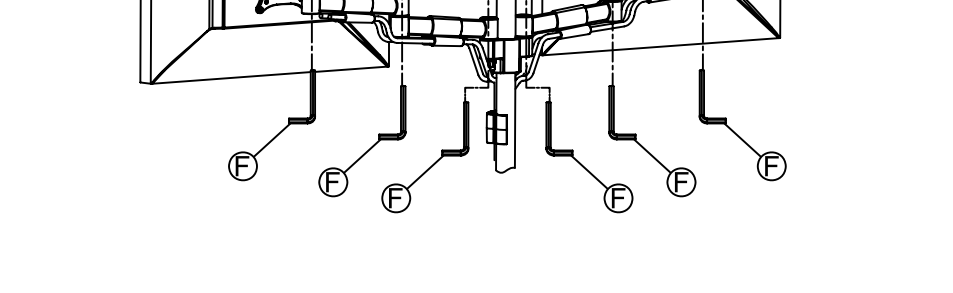
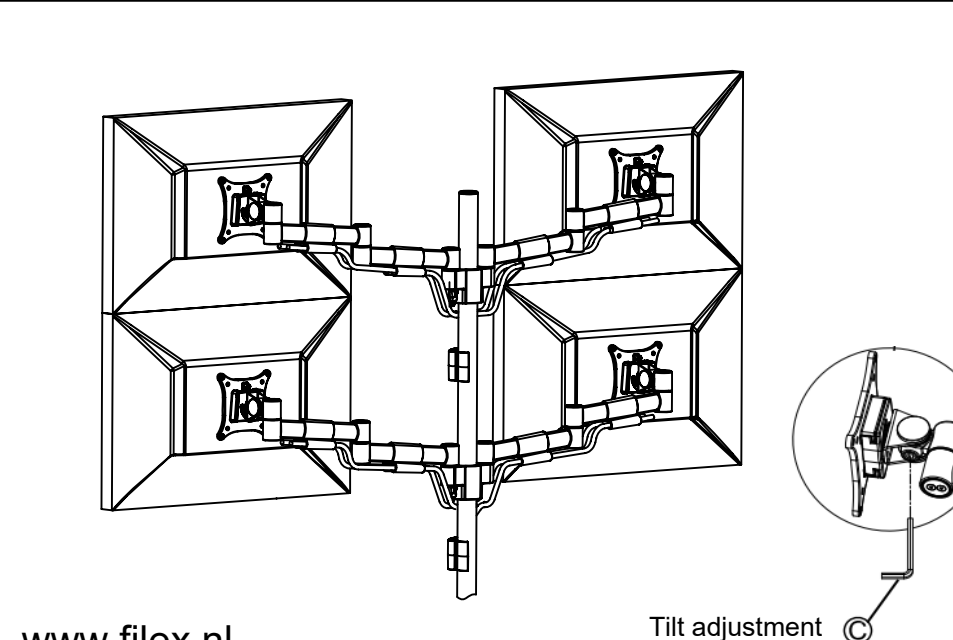
# Installation Manual

## Arm Installation

# Installation Manual

## Arm Installation

	
<b>Arm Adjustment</b> 	
	
<p>www.filex.nl</p> <p>Tilt adjustment ©</p>	