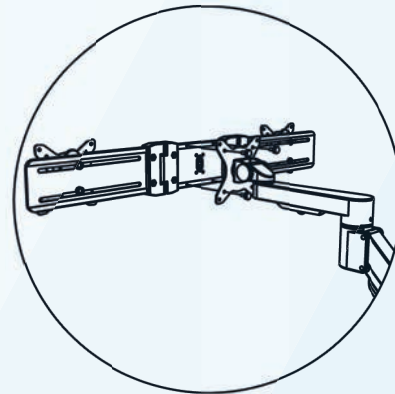
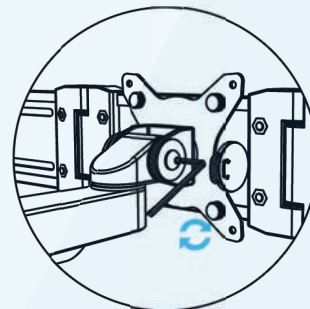


Step 1 : Fit crossbar to VESA plate

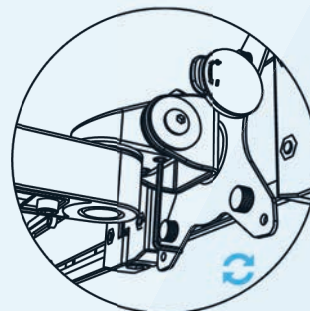


Step 2

A Tighten tilt tension firmly.

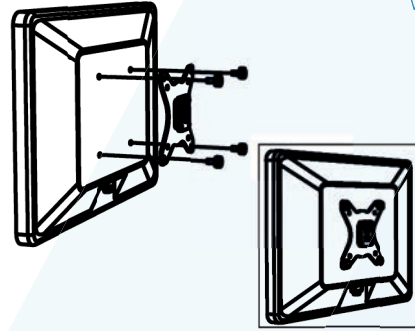


B Make fine adjustments to tilt tension.

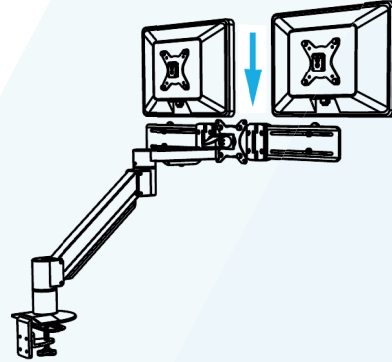


Step 3

A Fit quick release VESA plate to the monitors.

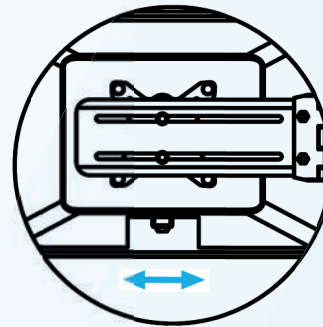


B Locate monitors on to crossbar.

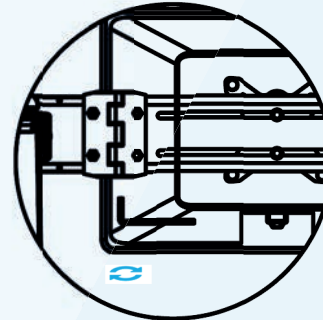


Step 4

A Fit quick release VESA plate to the monitors.



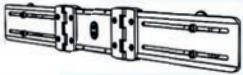


B Locate monitors on to crossbar.



Step 5

Adjust tension to balance the weight of the monitors and crossbar.

PARTS LIST

Item	Description	Quantity
	Twin Monitor Mounting Rail	1
	VESA Bracket	2
	Monitor Screw	8